

Datasheet

# SDD PTM9605 Press Trim Module for RISO GD-Series Printers

With optional modules: 2ST9610/  
SFM9604/CBS6060/HIM5030



[www.sddbv.com](http://www.sddbv.com)  
[info@sddbv.com](mailto:info@sddbv.com)



**We build your**  
**Print Finishing Solutions**

PTM9605 System

Extremely flexible  
Easy to use



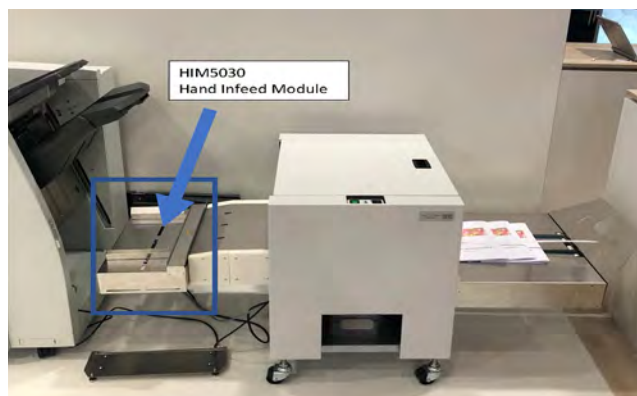
Direct link to  
**RISO**





## Key Benefits

- Patented Colour Fold Module to optimise handling of colour and coated media
- Modular system for customised solutions
- Automatic switching between two jobs (for example A3 to A4 jobs)
- Dynamic system: switching between booklet sizes and thicknesses requires no operator intervention
- Simple connection/installation behind the printer
- Adjustable trim size
- Durable knives / Patented technologies
- Optional: Professional 'top and bottom' trimming; precisely trims the booklet from the both sides at once
- Optional: SquareFolding Module SFM9604 to create a square spine booklet
- Optional: Hand Infeed Module HIM5030 to feed booklets by hand into the system
- Optional: Conveyour Belt Stacker CBS6150 150cm long



Hand Infeed to feed booklets manually / near line use

# Efficiency & Quality

The SDD PTM9605 Press Trim Module is a **face trimmer** which trims the long edge of a booklet.

Also, the system flattens the booklet by applying pressure to the spine. Finished booklets will have a superior, professional appearance and, as they lie flat, booklets are much easier to pack, stack and distribute.

Full colour brochures, manuals, policy documents and reports, for example, can be quickly printed and finished in one streamlined operation without the need for additional handling or finishing steps.

TWO IMPORTANT OPTIONS TO ENHANCE BOOKLET QUALITY EVEN FURTHER:

## 1: SDD 2ST9610 Professional 2-Side Trimmer

The SDD 2ST9610 2-Side Trimmer is a cost effective **full-bleed solution** for RISO GD Series production printers. The 2ST9610 works online with RISO production printers to create a complete printing and booklet making system that is ideal for a wide range of on-demand applications.

## 2: SDD SFM9604 Square Fold Module

The SDD SFM9604 Square Fold Module is used in combination with the SDD PTM9605 Press Trim Module or with the 2ST9610 2-Side Trimmer. The SFM9604 Square Fold Module produces a booklet with a completely **square spine**. Then it is possible to reproduce a professional magazine or book-like finish, which considerably enhances the booklet appearance and adds more versatility to booklet making.

## Key Benefits

Professional 'top and bottom' trimming; precisely trims the booklet from both sides in one operation

2 x 3 knives for a perfect spine trimming result

Ensures that no paper snippet is left on the booklet spine

Produces professional-looking and high quality booklets

Touchscreen graphical user interface for simpler set up and operating

Modular knife exchange and easy to maintain

## Key Benefits

Simple to operate

Produces perfectly flat booklets

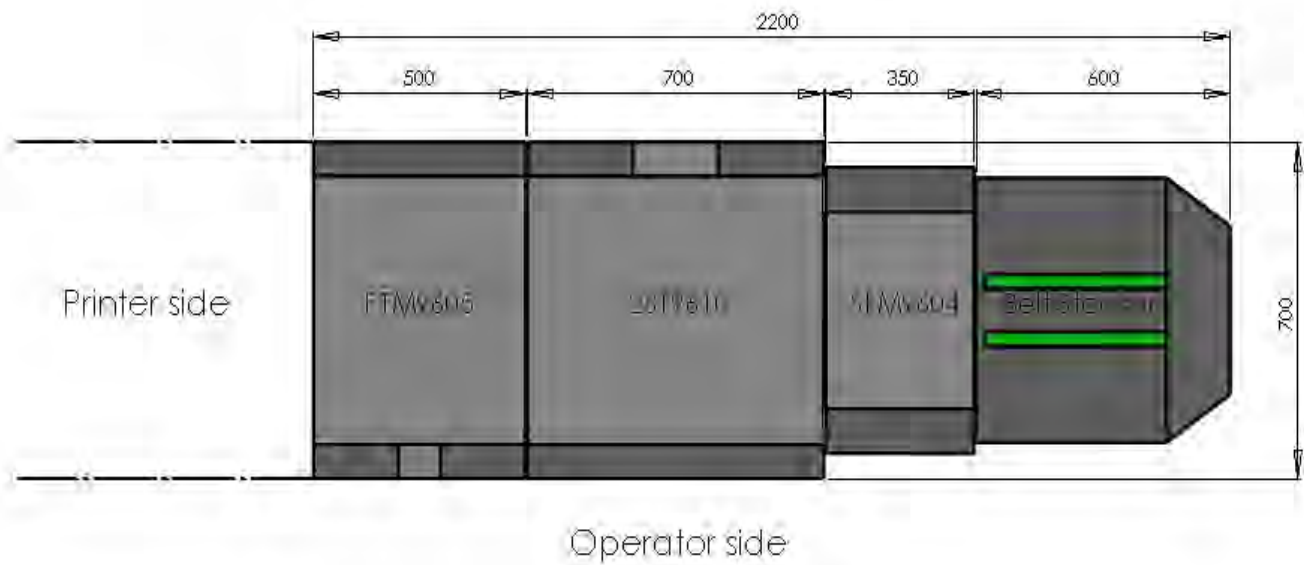
Results in a booklet with a square spine

Printing on the spine is possible

4 modes and bypass



# Floorplan



The PTM system requires 400 mm of additional floor space at the front and rear side of the machine for installation, operation and maintenance.



# Physical Characteristics

	Length (mm)	Width (mm)	Height (mm)	Weight (kg)
HIM5030	300	500	n.a.	4
PTM9605	500	700	750	82,5
2-Side Trimmer	700	700	750	150
SquareFold	360	700	750	30
Conveyor Stacker (short, standard)	600	550	adjustable	7
Conveyor Stacker (long, option)	1500	550	adjustable	13



# Module Configurations

- PTM9605 Press Trim module
- 2ST9610 2-Side Trimmer module
- SFM9604 SquareFold module
- CBS6060 Conveyor Belt Stacker 60cm (included in all configurations)
- CBS6150 Conveyor Belt Stacker 150cm (option)
- HIM5030 Hand Infeed module (option)

## Press Trim Module System configurations:

1

### Basic

PTM9605  
CBS6060

2

### Configuration 1

PTM9605  
SFM9604  
CBS6060  
(HIM5030 as option)  
(CBS6150 as option)

3

### Full configuration

PTM9605  
2ST9610  
SFM9604  
CBS6060

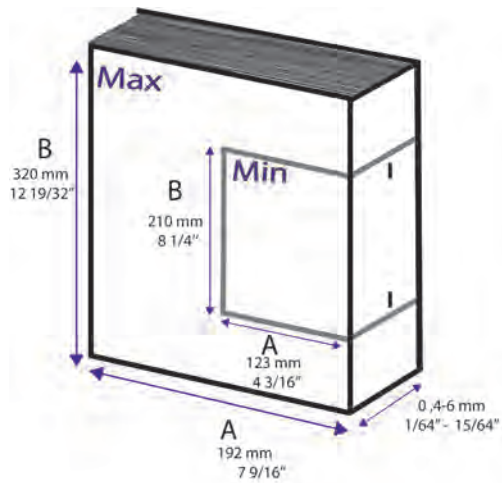
4

### Options for all configurations

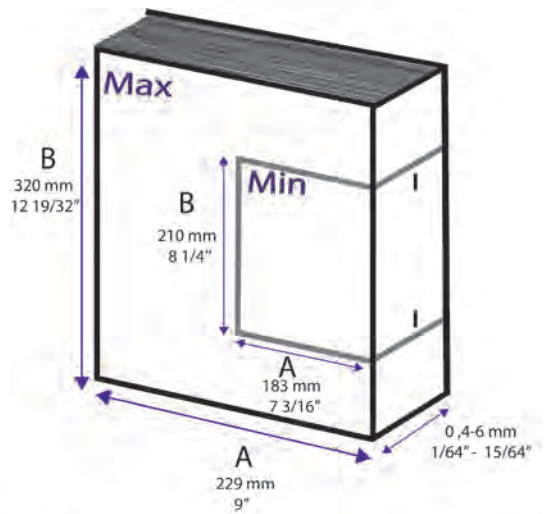
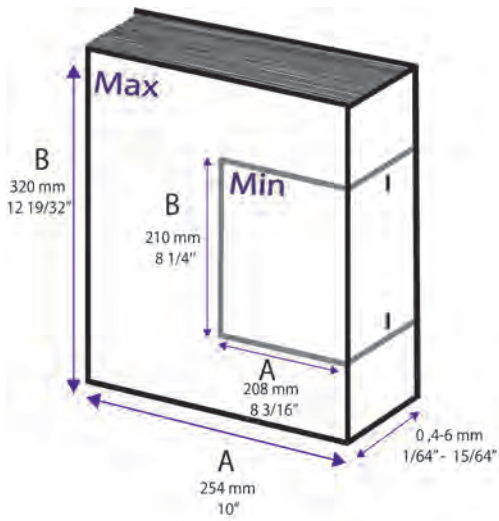
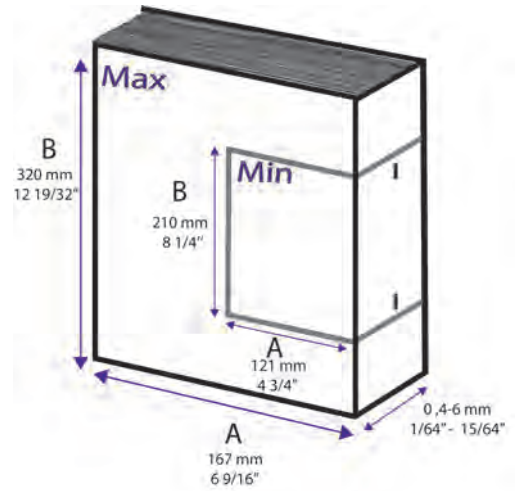
HIM5030 as option  
CBS6150 as option



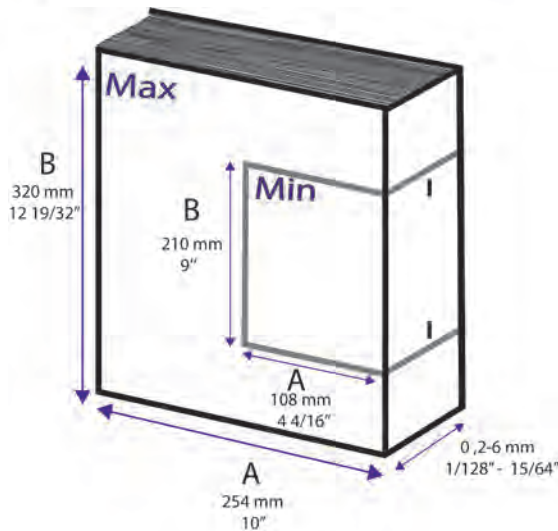
Input Booklet range



Output Booklet range



Bypass



Obtain the look and feel of first class booklets!





# General Information

System works from left to right  
Paper input height approx.: 420 mm

## **Input**

RISO GD-Series Printers equipped with the Booklet Maker  
HIM5030 Hand Infeed Module

## **Output**

SDD STR9610 2-Side Trimmer  
SDD SFM9604 SquareFold Module  
SDD CBS6060 Conveyor Belt Stacker (60 cm)  
SDD CBS6150 Conveyor Belt Stacker (150 cm) optional

Squarefold booklet  
gives a perfectly  
flat finish with  
a square spine.

By printing on the spine it is possible to reproduce a professional magazine or book-like finish, which considerably enhances the booklet appearance.



The combination of 2-Side Trimmer and Square Fold Module makes it possible to produce professional-looking, full-bleed, booklets with a square spine. With these two options it is possible to obtain the look and feel of first class booklets! Booklets are perfectly finished: totally flat with a square spine.

By printing on the spine it is possible to reproduce a professional magazine or book-like finish, which considerably enhances the booklet appearance and adds more versatility to booklet making.

Specially designed for high reliability and long production runs.

The Press Trim System accept and trim a booklet with a maximum thickness of 5 mm (approximately booklet of 25 sheets 80 g/m<sup>2</sup> paper, depending upon paper quality).



# Technical Specifications

## Input Booklet size

Booklet wide range 1 EU	123 mm x 192 mm
Booklet wide range 1 US	108 mm x 177 mm
Booklet wide range 2	208 mm x 254 mm
Booklet wide Bypass	108 mm x 254 mm

## Output Booklet size

Booklet wide range 1 EU	121 mm x 167 mm
Booklet wide range 1 US	106 mm x 152 mm
Booklet wide range 2	183 mm x 229 mm
Booklet wide Bypass	N.A.

Maximum paper thickness	300 g/m <sup>2</sup>
-------------------------	----------------------

Minimum paper thickness	60 g/m <sup>2</sup>
-------------------------	---------------------

Bypass	1 up to 25 sheets 80 g/m <sup>2</sup> (A5-A4 booklet)
--------	---

	1 sheet 300 g/m <sup>2</sup> (SRA4 booklet)
--	---

Press / Trim capacity:	2 up to 25 sheets 80 g/m <sup>2</sup> (A5-A4 / SRA4 booklet)
------------------------	--

	2 up to 9 sheets 216 g/m <sup>2</sup> (SRA4 booklet)
--	--

Face Trimming	Adjustable from 2 mm up to 25 mm (10 mm is standard)
---------------	---

Side Trimming	Side trimming 2 mm till 51 mm from top and from bottom side from the booklets
---------------	---

SquareFold module	4 modes and bypass
-------------------	--------------------

Conveyor Belt Stacker	CBS6060 60 cm (standard)
-----------------------	--------------------------

Conveyor Belt Stacker	CBS6150 150 cm (optional)
-----------------------	---------------------------

Productivity	up to 600 booklets per hour
--------------	-----------------------------

System dimensions	2200 mm with short Conveyor Belt Stacker
-------------------	--

	2290 mm with long Conveyor BeltStacker
--	--

Power	<0,4 KW (Max.)
-------	----------------

Noise level	≤70dB
-------------	-------



SDD B.V.  
Brinkerweg 5  
8166 GD Emst  
The Netherlands

Tel.: +31 (0)578 662 662

[www.sddbv.com](http://www.sddbv.com)  
[info@sddbv.com](mailto:info@sddbv.com)  
[service@sddbv.com](mailto:service@sddbv.com)

SDD B.V. Print Finishing Solutions.  
© October 2020 SDD B.V. Illustrations and specifications do not necessarily apply to the standard version of machines in all local markets. Technical specifications subject to change without prior notice. All products mentioned in this brochure are claimed as trademarks or registered trademarks of their respective companies.

**We build your**  
**Print Finishing Solutions**