

Datasheet

# SDD 2-Side Trimmer & SquareFold for offline / nearline use

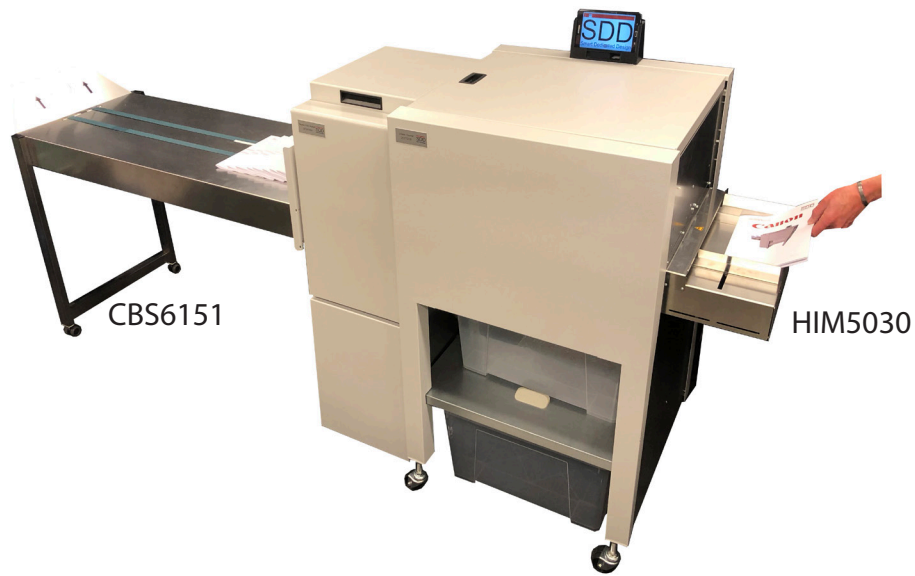


[www.sddbv.com](http://www.sddbv.com)  
[info@sddbv.com](mailto:info@sddbv.com)



We build your  
**Print Finishing Solutions**

# Extremely flexible Easy to use, offline solution





## Key Benefits

- Compact system
- Professional 'top and bottom' trimming;  
precisely trims the booklet from both sides at once
- Can produce for example, A5 landscape booklets (148,5 x 210mm), 200mm x 200mm, as well as other very small booklet sizes
- Can trim 102mm in total and produce booklets
- Touch screen remote User Interface for easy set up
- Simple installation
- Adjustable trim size
- Durable knives / Patented technologies
- Low noise level
- SquareFolding Module creates a square spine booklet
- Hand Infeed Module HIM5030 to feed booklets by hand into the system
- Option: Conveyor Belt Stacker CBS6151 150cm long

# Efficiency & Quality

The SDD offline 2-Side Trimmer SquareFold combine the 2-Side Trimmer trims the top and bottom of a booklet.

Finished booklets will have a superior, professional appearance and, as the SquareFold module ensures that they lie flat, booklets are much easier to pack, stack and distribute.

Full colour brochures, manuals, policy documents and reports, for example, can be quickly printed and finished in one streamlined operation without the need for additional handling or finishing steps.

## THESE TWO IMPORTANT OPTIONS TO ENHANCE BOOKLET QUALITY:

### 1: SDD Professional 2-Side Trimmer

The SDD 2-Side Trimmer is a cost effective full-bleed solution for offline / near line use. The 2-Side Trimmer creates a complete printing and booklet making system that is ideal for a wide range of on-demand applications.

### 2: SDD Square Fold Module

The SDD Square Fold Module is used in combination with the 2-Side Trimmer. The Square Fold Module produces a booklet with a completely square spine. Then it is possible to reproduce a professional magazine or book-like finish, which considerably enhances the booklet appearance and adds more versatility to booklet making.

## Key Benefits

Professional 'top and bottom' trimming; precisely trims the booklet from both sides in one operation

2 x 3 knives for a perfect spine trimming result

Ensures that no paper snippet is left on the booklet spine

Produces professional-looking and high quality booklets

Touchscreen graphical user interface for simpler set up and operating

Modular knife exchange and easy to maintain

## Key Benefits

Simple to operate

Produces perfectly flat booklets

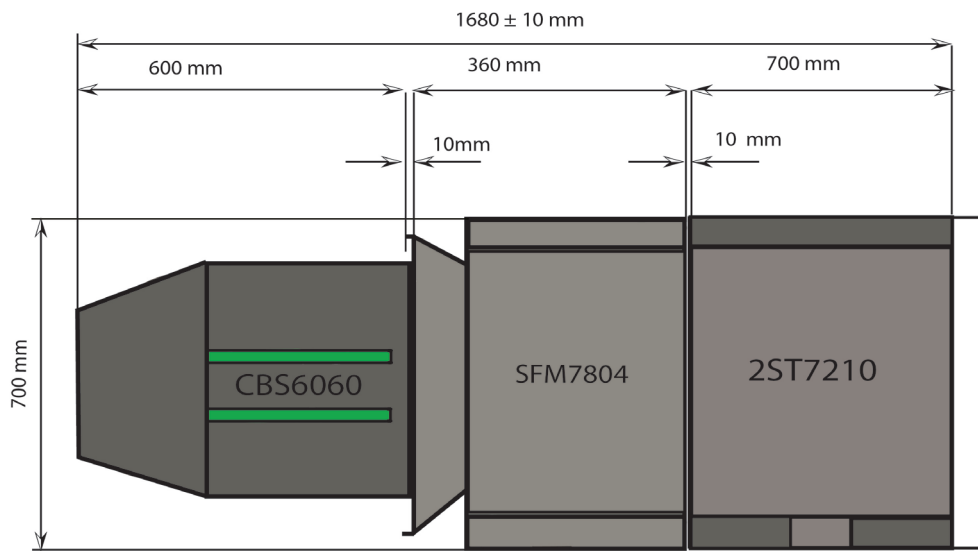
Results in a booklet with a square spine

Printing possible on the spine

4 modes and bypass



# Floorplan



Operator side

The system requires 400 mm of additional floor space at the front and rear side of the machine for installation, operation and maintenance.



# Physical Characteristics

	Length (mm)	Width (mm)	Height (mm)	Weight (kg)
HIM5030	300	500	n.a.	4
2ST9210	700	700	1300	220
SFM9204	360	600	1100	65
CBS6061 (short, most used)	600	550	852+/- 35mm	7
CBS6151 (long, option)	1500	550	n.a.	13





# Module Configurations

- 2ST9210 2-Side Trimmer module
- SFM9204 SquareFold module
- CBS6061 Conveyor Belt Stacker 60cm (this is the most common stacker to be sold)
- CBS6151 Conveyor Belt Stacker 150cm (option)
- HIM5030 Hand Infeed module (option)

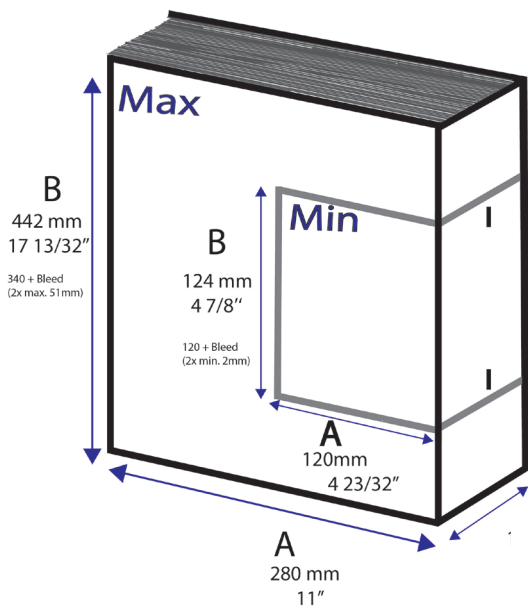


Basic  
HIM5030, 2ST9210  
CBS6061 or CBS6151

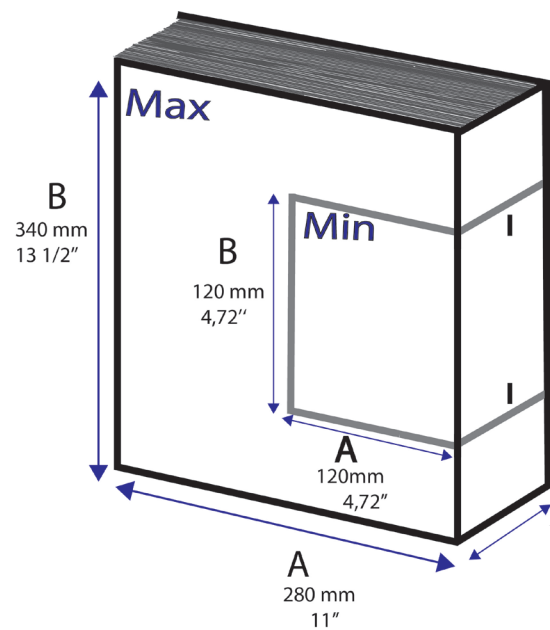


Advanced  
HIM5030  
2ST9210  
SFM9204  
CBS6061 or CBS6151

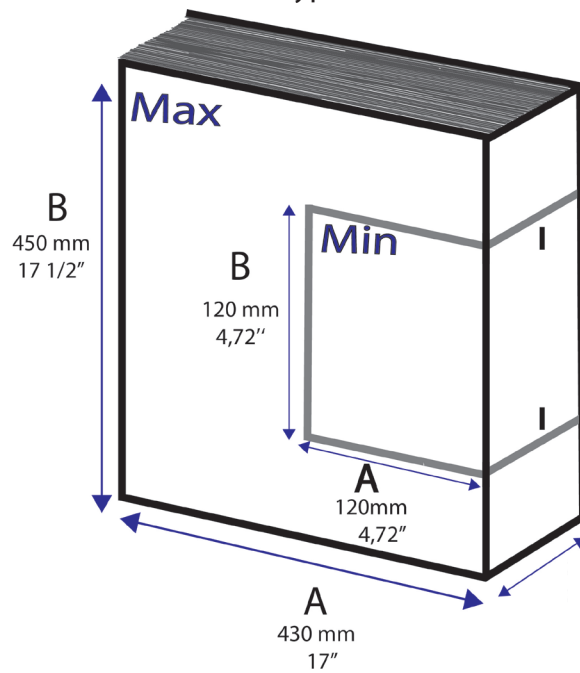
Input Booklet range



Output Booklet range



Bypass



Obtain the  
look and feel  
of first class booklets!





# General Information

System works from right to left

Paper input height approximately: 860mm +/-30mm

## Input

HIM5030 Hand Infeed Module (offline use)

## Output

SDD SFM9204 SquareFold Module

You must Select either CBS6061 or CBS6151:

SDD CBS6061 Conveyor Belt Stacker (60 cm) this is the most common stacker to be sold

SDD CBS6151 Conveyor Belt Stacker (150 cm) optional

**SquareFold booklet  
gives a perfectly  
flat finish with  
a square spine.**

By printing on the spine it is possible to reproduce a professional magazine or book-like finish, which considerably enhances the booklet appearance.



The combination of 2-Side Trimmer and SquareFold Module makes it possible to produce professional-looking, full-bleed, booklets with a square spine. With these two options it is possible to obtain the look and feel of first class booklets! Booklets are perfectly finished: totally flat with a square spine.

By printing on the spine it is possible to reproduce a professional magazine or book-like finish, which considerably enhances the booklet appearance and adds more versatility to booklet making.

Specially designed for high reliability and long production runs.

2-Side Trimmer accepts and trims a booklet with a maximum thickness of 10 mm (approximately a booklet of 50 sheets 80 g/m<sup>2</sup> paper, depending upon paper quality).



# Technical Specifications

## Input Booklet size

Min Booklet width (B) EU	124 mm
Min Booklet width (B) US	4 7/8"
Max Booklet width (B) EU	442 mm
Max Booklet width (B) US	17 13/32"
Max Booklet width (A) EU	280 mm
Max Booklet width (A) US	11"
Min Booklet width (A) EU	120 mm
Min Booklet width (A) US	4 23/32"
Booklet thickness	up to 30 sheets 80 g/m <sup>2</sup>

## Output Booklet size

Min Booklet width (B) EU	120 mm
Min Booklet width (B) US	4 23/32"
Max Booklet width (B) EU	340 mm
Max Booklet width (B) US	13 1/2"
Max Booklet width (A) EU	280 mm
Max Booklet width (A) US	11"
Min Booklet width (A) EU	120 mm
Min Booklet width (A) US	4 23/32"
Booklet thickness	up to 30 sheets 80 g/m <sup>2</sup>

## Bypass sizes

Min Booklet width (B) EU / US	120 mm / 4 23/32"
Max Booklet width (B) EU / US	450 mm / 17 1/2"
Min Booklet width (A) EU / US	120 mm / 4 23/32"
Max Booklet width (A) EU / US	430 mm / 17"

Maximum paper thickness	300 g/m <sup>2</sup>
Minimum paper thickness	60 g/m <sup>2</sup>
Bypass	up to 30 sheets 80 g/m <sup>2</sup>
Side Trimming	Side trimming 2 mm to 51 mm from top and bottom
SquareFold module	4 modes and bypass
Conveyor Belt Stacker	CBS6061 60 cm (this is the most common stacker to be sold)
Conveyor Belt Stacker	CBS6151 150 cm (optional)
Productivity	up to 1400 booklets per hour
System dimensions	1680 mm complete with short Conveyor Belt Stacker
Power	<0.4 KW (Max.)
Noise level	≤70dB

For booklets from about 15 sheets or more, always use cover sheets from 120 g/m<sup>2</sup> or higher to prevent possible inconsistencies (such as creases) in the booklet.



SDD B.V.  
Brinkerweg 5  
8166 GD Emst  
The Netherlands

Tel.: +31 (0)578 662 662

[www.sddbv.com](http://www.sddbv.com)  
[info@sddbv.com](mailto:info@sddbv.com)  
[service@sddbv.com](mailto:service@sddbv.com)

SDD B.V. Print Finishing Solutions.  
©December 2023 SDD B.V. Illustrations  
and specifications do not necessarily  
apply to the standard version of machines  
in all local markets. Technical specifica-  
tions subject to change without prior  
notice. All products mentioned in this  
brochure are claimed as trademarks or  
registered trademarks of their respective  
companies.

We build your  
**Print Finishing Solutions**