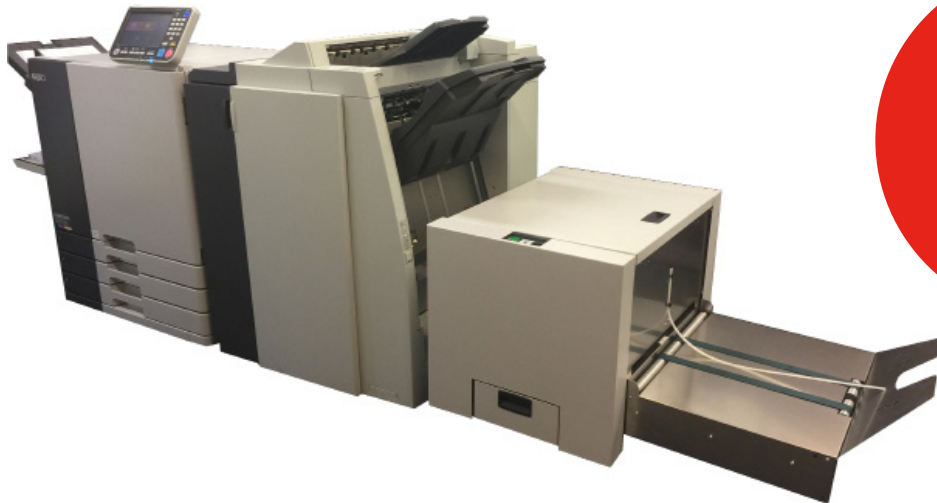


SDD PTM9605 Press Trim Module for RISO ComColor Printers

With optional modules: 2ST9610/
SFM9604/CBS6060/HIM5030



www.sddbv.com

info@sddbv.com



**We build your
Print Finishing Solutions**

PTM9605 System

Extremely flexible
Easy to use



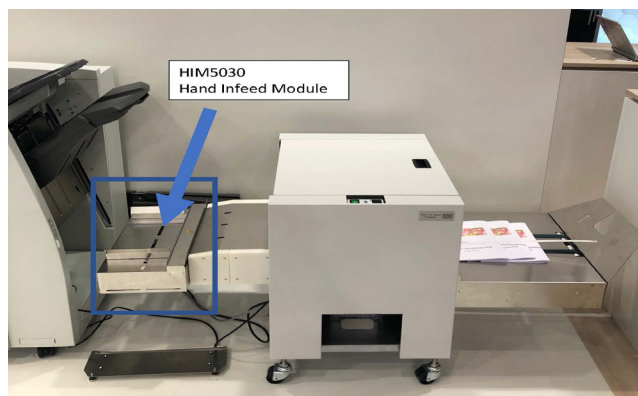
Direct link to
RISO





Key Benefits

- Patented Colour Fold Module to optimise handling of colour and coated media
- Modular system for customised solutions
- Automatic switching between two jobs (for example A3 to A4 jobs)
- Dynamic system: switching between booklet sizes and thicknesses requires no operator intervention
- Simple connection/installation behind the printer
- Adjustable trim size
- Durable knives / Patented technologies
- Optional: Professional 'top and bottom' trimming precisely trims the booklet from the both sides at once
- Optional: SquareFolding Module SFM9604 to create a square spine booklet
- Optional: Hand Infeed Module HIM5030 to feed booklets by hand into the system
- Optional: Conveyour Belt Stacker CBS6150 59 inch long



Hand Infeed to feed booklets manually / near line use

Efficiency & Quality

The SDD PTM9605 Press Trim Module is a **face trimmer** which trims the long edge of a booklet. Also, the system flattens the booklet by applying pressure to the spine. Finished booklets will have a superior, professional appearance and, as they lie flat, booklets are much easier to pack, stack and distribute.

Full colour brochures, manuals, policy documents and reports, for example, can be quickly printed and finished in one streamlined operation without the need for additional handling or finishing steps.

TWO IMPORTANT OPTIONS TO ENHANCE BOOKLET QUALITY EVEN FURTHER:

1: SDD 2ST9610 Professional 2-Side Trimmer

The SDD 2ST9610 2-Side Trimmer is a cost effective **full-bleed solution** for RISO ComColor Series production printers. The 2ST9610 works online with RISO production printers to create a complete printing and booklet making system that is ideal for a wide range of on-demand applications.

2: SDD SFM9604 Square Fold Module

The SDD SFM9604 Square Fold Module is used in combination with the SDD PTM9605 Press Trim Module or with the 2ST9610 2-Side Trimmer. The SFM9604 Square Fold Module produces a booklet with a completely **square spine**. Then it is possible to reproduce a professional magazine or book-like finish, which considerably enhances the booklet appearance and adds more versatility to booklet making.

Key Benefits

Professional 'top and bottom' trimming precisely trims the booklet from both sides in one operation

2 x 3 knives for a perfect spine trimming result

Ensures that no paper snippet is left on the booklet spine

Produces professional-looking and high quality booklets

Touchscreen graphical user interface for simpler set up and operating

Modular knife exchange and easy to maintain

Key Benefits

Simple to operate

Produces perfectly flat booklets

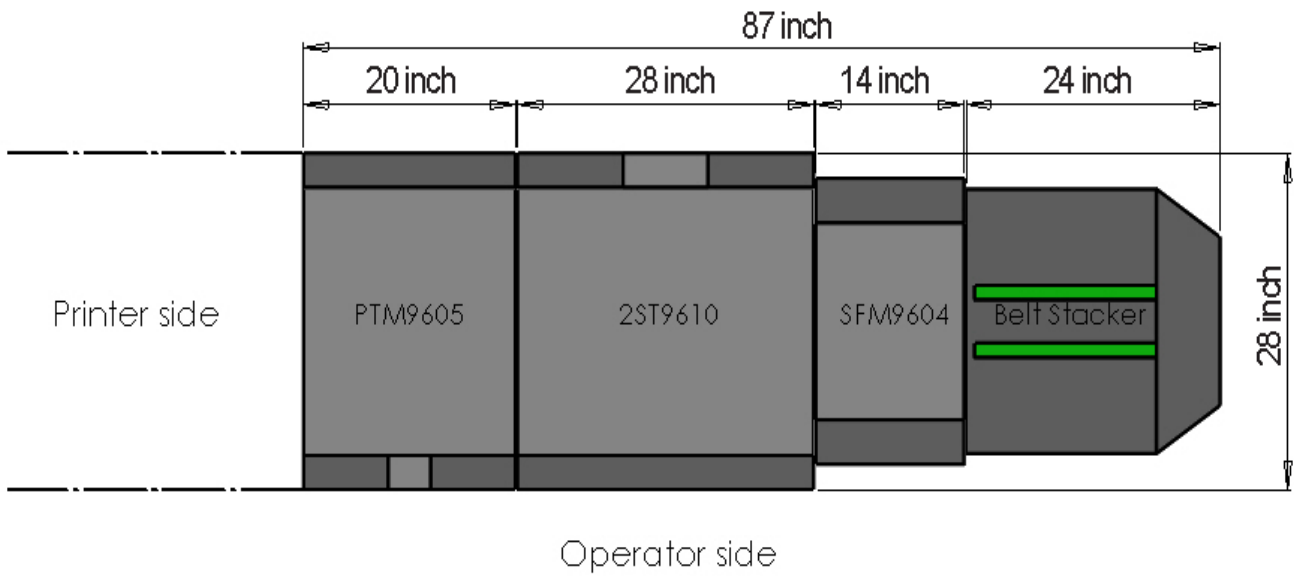
Results in a booklet with a square spine

Printing on the spine is possible

4 modes and bypass



Floorplan



The PTM system requires 16 inch of additional floor space at the front and rear side of the machine for installation, operation and maintenance.



Physical Characteristics

	Length (inch)	Width (inch)	Height (inch)	Weight (lb)
HIM5030	12	20	n.a.	9
PTM9605	20	28	29	182
2-Side Trimmer	28	28	29	331
SquareFold	14	28	29	67
Conveyor Stacker (short, standard)	23	22	adjustable	16
Conveyor Stacker (long, option)	60	22	adjustable	29



Module Configurations

- PTM9605 Press Trim module
- 2ST9610 2-Side Trimmer module
- SFM9604 SquareFold module Conveyor
- CBS6060 Belt Stacker 23 ⁵/₈ inch
(included in all configurations)
- CBS6150 Conveyor Belt Stacker 59 inch
(option)
- HIM5030 Hand Infeed module
(option)

Press Trim Module System configurations:

1

Basic
PTM9605
CBS6060

2

Configuration 1
PTM9605
SFM9604
CBS6060
(HIM5030 as option)
(CBS6150 as option)

3

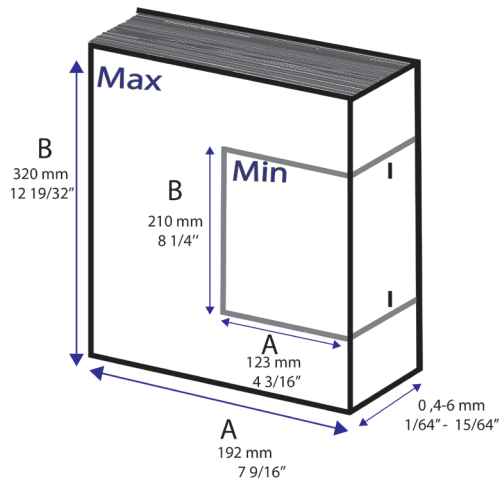
Full configuration
PTM9605
2ST9610
SFM9604
CBS6060

4

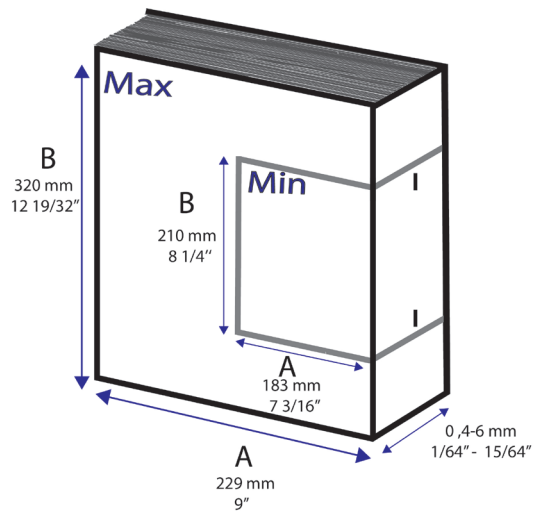
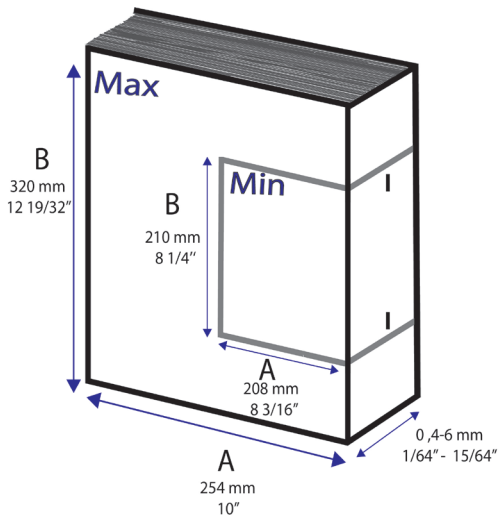
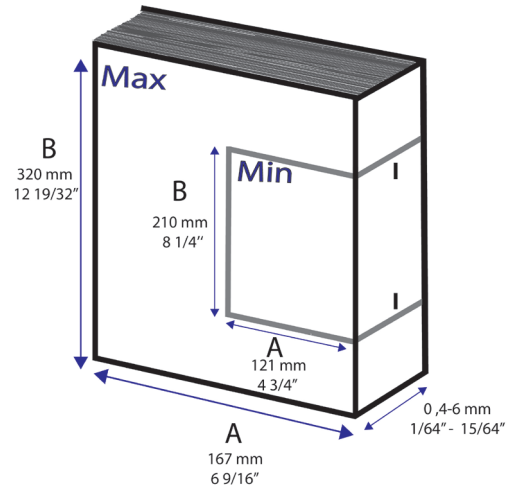
Options for all configurations
HIM5030 as option
CBS6150 as option



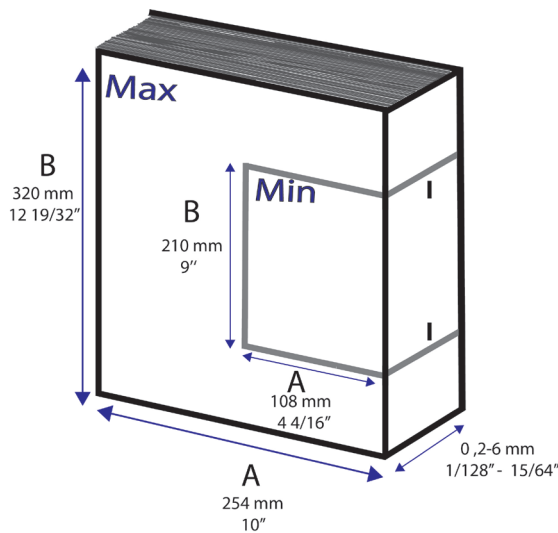
Input Booklet range



Output Booklet range



Bypass



Obtain the look and feel of first class booklets!



General Information

System works from left to right

Paper input height approx.: 16.5 inch

Input

GL9730 and GL7430

GD9630 and GD7330

FT5430 and FT5230

Printers have to be equipped with the RISO Multi Function finisher

HIM5030 Hand Infeed Module

Output

SDD STR9610 2-Side Trimmer

SDD SFM9604 SquareFold Module

SDD CBS6060 Conveyor Belt Stacker (23 inch)

SDD CBS6150 Conveyor Belt Stacker (59 inch) optional

Squarefold booklet
gives a perfectly
flat finish with
a square spine.

By printing on the spine it is possible to reproduce a professional magazine or book-like finish, which considerably enhances the booklet appearance.



The combination of 2-Side Trimmer and Square Fold Module makes it possible to produce professional-looking, full-bleed, booklets with a square spine. With these two options it is possible to obtain the look and feel of first class booklets! Booklets are perfectly finished: totally flat with a square spine.

By printing on the spine it is possible to reproduce a professional magazine or book-like finish, which considerably enhances the booklet appearance and adds more versatility to booklet making.

Specially designed for high reliability and long production runs.

The Press Trim System accept and trim a booklet with a maximum thickness of 5 mm (approximately booklet of 25 sheets 80 g/m² paper, depending upon paper quality).



Technical Specifications

Input Booklet size

Booklet wide range 1 US	4.25 inch x 6.97 inch
Booklet wide range 2	8.19 inch x 10 inch
Booklet wide Bypass	4.25 inch x 10inch

Output Booklet size

Booklet wide range 1 US	4.17 inch x 5.98 inch
Booklet wide range 2	7.20 inch x 9.01 inch
Booklet wide Bypass	N.A.

Maximum paper thickness	300 g/m ²
Minimum paper thickness	60 g/m ²
Bypass	1 up to 25 sheets 80 g/m ² (A5-A4 booklet) 1 sheet 300 g/m ² (SRA4 booklet)
Press / Trim capacity:	2 up to 25 sheets 80 g/m ² (A5-A4 / SRA4 booklet) 2 up to 9 sheets 216 g/m ² (SRA4 booklet)
Face Trimming	Adjustable from 2 mm up to 25 mm (10 mm is standard)
Side Trimming	Side trimming 2 mm till 51 mm from top and from bottom side from the booklets
SquareFold module	4 modes and bypass
Conveyor Belt Stacker	CBS6060 23.6 inch (standard)
Conveyor Belt Stacker	CBS6150 59 inch (optional)
Productivity	up to 600 booklets per hour
System dimensions	87 inch with short Conveyor Belt Stacker 91 inch with long Conveyor BeltStacker
Power	<0,4 KW (Max.)
Noise level	≤70dB



SDD B.V.
Brinkerweg 5
8166 GD Emst
The Netherlands
Tel.: +31 (0)578 662 662

www.sddbv.com
info@sddbv.com
service@sddbv.com

RISO US
10 State Street, Suite 201
Woburn, MA 01801-2105

Phone: 978-777-7377
www.us.riso.com

SDD B.V. Print Finishing Solutions. ©
December 2024 SDD B.V. Illustrations
and specifications do not neces-
sarily apply to the standard version
of machines in all local markets.
Technical specifications subject
to change without prior notice. All
products mentioned in this bro-
chure are claimed as trademarks
or registered trademarks of their
respective companies.

We build your
Print Finishing Solutions