

SDD Belt Stacker Module for RISO ComColor Printers with Booklet Finisher or Glue Binder



www.sddbv.com
info@sddbv.com

www.risofrance.fr
contact@risofrance.fr

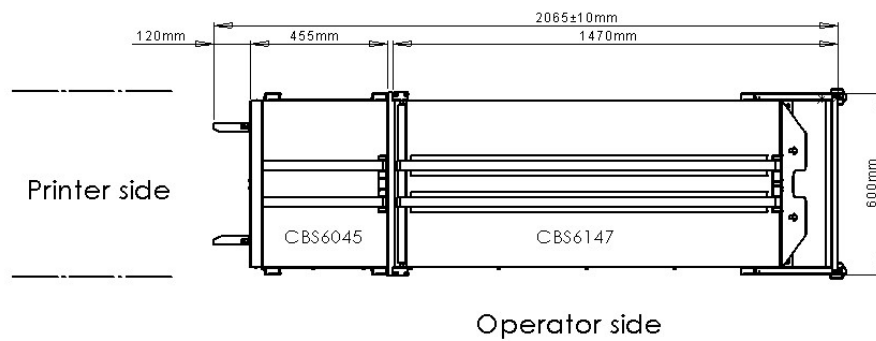


We build your
Print Finishing Solutions

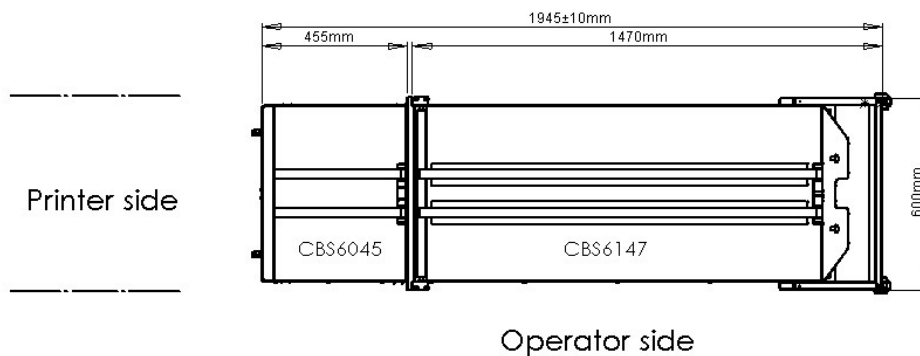


Floorplan

Behind the Booklet Finisher



Behind the Glue Binder

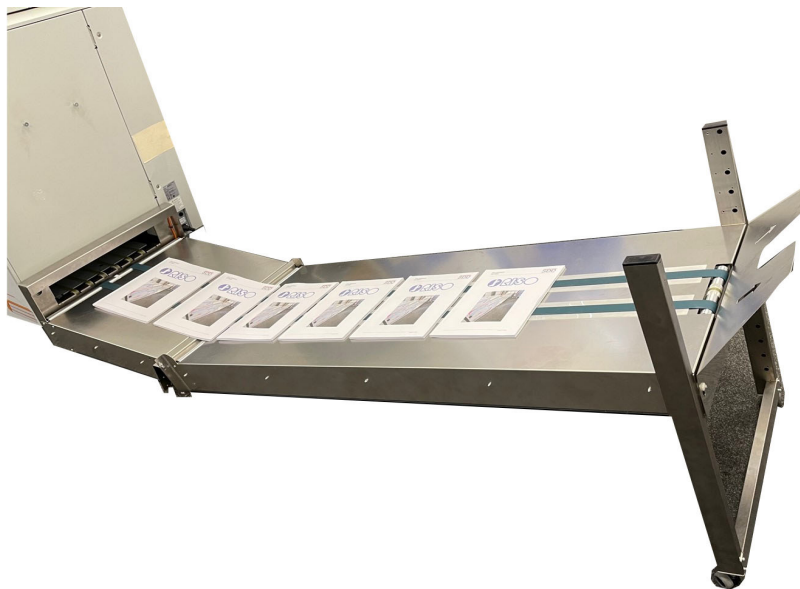


The system requires 400 mm of additional floor space at the front and rear side of the machine for installation, operation and maintenance.



Physical Characteristics

	Length (mm)	Width (mm)	Height (mm)	Weight (kg)
Conveyor Stacker (short)	455	550	adjustable	16
Conveyor Stacker (long)	1470+/-10	550	adjustable	13





General Information

System works from left to right

Paper input height behind Multi Function finisher approx.: ~320mm

Paper input height behind Glue Binder approx.: ~115mm

Input

GL9730 and GL7430

GD9630 and GD7330

FT5430 and FT5230

Printers have to be equipped with the RISO Multi Function
finisher

RISO Glue Binder



Technical Specifications

Functions	Booklet and Glued book stacking
Maximum paper thickness	300 g/m ²
Minimum paper thickness	60 g/m ²
Productivity	Printer and finisher depended
Maximum Ergonomic height	~600mm
Power	<0,4 KW (Max.)
Noise level	≤70dB



SDD B.V.
Brinkerweg 5
8166 GD Emst
The Netherlands
Tel.: +31 (0)578 662 662

www.sddbv.com
info@sddbv.com
service@sddbv.com

RISO France
49 rue de la Cité
69003 Lyon
France
Tel : +33 472 11 38 88
www.risofrance.fr

RISO BENELUX
Oosthoutlaan 4
2171 TZ Sassenheim
The Netherlands
Tel: +31 252 240 730
www.riso.nl

SDD B.V. Print Finishing Solutions.
© June 2022 SDD B.V. Illustrations and specifications do not necessarily apply to the standard version of machines in all local markets. Technical specifications subject to change without prior notice. All products mentioned in this brochure are claimed as trademarks or registered trademarks of their respective companies.

We build your
Print Finishing Solutions